

# ITALIAN DESIGNS

---

FOR YOUR WALLS.



## Price Schedule Modular Wiring Accessories

w.e.f. 15th May, 2018

(This price list supersedes all previous price lists)

We touch your electricity everyday!

## DOMESTIC

The aesthetically designed Divino range adds beauty and brings Italian style to your dream home. The Divino range is designed in Italy keeping in mind to fulfill local requirements. Divino switches are available with a choice of colors to match all kind of interiors and amp up your decor. It adds ergonomic elegance to your home. It comes with all wiring accessories installation solutions for your living place, redefining its elegance and giving you a luxury experience.



## AESTHETIC

Divino is designed in Italy for a global lifestyle. Its carefully crafted curved edge design makes it truly international and transforms your living space into an alluring place.

The Divino range is tailored to meet the requirements of trendsetter designers and architects.

The Divino accessories come in 2 endearing colors; Pure White and Glossy Grey. The Top plates are available in two styles Virna and Vera & in 13 color finishes.



## HOSPITALITY

The Divino range offers a great variety of functions to meet all requirements of modern hospitality installations. From the entrance of the room to bathroom to the bedside table, Divino provides all kind of solutions to enhance the guest's comfort experience. The range includes Energy Key Tag, Access Key Card power device, Shaver Socket, Indication devices & Dimmers for hotel and service industry. The RJ11 and RJ45 sockets add flexibility to the communication system.



## PROTECTION

All Divino sockets come with safety shutters providing protected access. The sockets are equipped with easy two pin insertion mechanism. The Divino range offers aesthetically designed 4.5KA MCB in single pole and double pole in various ratings for protection against overload and short circuits. The entire Divino range is ROHS compliant and comes with shrouded terminals and IP20 protection. The range also offers Motor Starter with overload protection feature in various ratings for applications like ACs, Geysers etc.



## COMFORT

Divino features complete solutions for all your comfort requirements. Its wide range of comfort devices like Hum Free Fan Regulators, High Performance Dimmers, Super Charging USB Sockets and International Standard Sockets meet all your comfort desires. The Divino range offers maximum flexibility and modularity and provides, all kind of solutions for modern living with enhanced comfort.



## OUTDOOR

Divino range comes with Unique COMBI IP55 offering for all kind of Outdoor, Bathroom, Kitchens and wet area installations. The surface mounting IP55 enclosures used along Divino accessories provide protection against shock. Its IP55 protected plate with Divino accessories is an ideal solution for outdoor installations like poolside areas.

The Combi bellpush is an absolute solution for outdoor bell switch application. The range is available in various module systems.



# DIVINO

## S W I T C H E S

Pure White and Glossy Grey: Switches and Accessories are fully colour-coordinated with the DIVINO cover plates.



Designed in Italy.  
Made in India.

[www.cselectric.co.in](http://www.cselectric.co.in)

## Pure White

White, a universal color is a preferred choice for those who like it simple yet elegant. The White range accessories of DIVINO is simple yet adorable. It is a combination of elegance and style. The DIVINO White accessories along with color plates match with all shades of your interiors and give a modern unique look to your home.



## Glossy Grey

The Glossy Grey color accessories are the design for global lifestyle. Its unique look adds the charm to your interior and makes it a luxury. The Glossy Grey accessories combine elegantly with DIVINO designer plates and bring the unmatched aesthetic to your decor and make your dream home stand apart from others.

**ITALY HAS INSPIRED THE WORLD  
IN ART, FASHION AND CUISINE.  
Now, add switches to the list.**

---

How does a country manage to pioneer in art, culture and fashion in every single generation? How does it manage to inspire a Leonardo da Vinci? How does it produce a Cavalli on a daily basis? One could say it is in their DNA to design every product beautifully, Just like Divino. A switch that's exceptional to look at and robust in performance.

**DIVINO**  
S W I T C H E S

Designed in Italy. Made in India.

# VIRNA



## VIRNA: CURVES ARE BEAUTIFUL

A curve is always beautiful because it is truthful, so is Divino Virna range of plates. Divino virna range is designed with unique curved edge feature, making it a truly international design. Virna is a creation of Sleek and Minimalist design which offers an enhanced modern luxury to your walls. Available in 13 colors Virna offers you endless choice for your interiors.

## VERA



### VERA: SIMPLE YET ELEGANT

Divino Vera is simple, minimal yet a powerful design. Its sleek design adds an extra edge to your walls. Its timeless yet trendy classical design is a perfect harmony with modern interiors. Vera is available in 13 soothing colors and mixes well with the Divino accessories to match all kind of interior environments.

## Pure White

The Swan White color responds to all kind of interiors and fits in all kind of environments with simplicity and style.



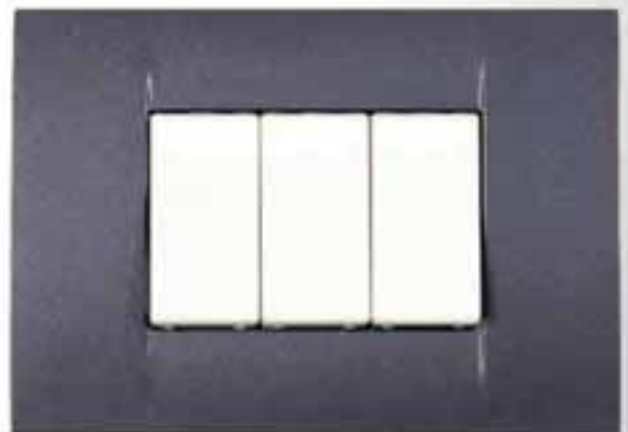
## Cadet Grey

Cadet Grey, a shiny and smooth finish in Virna and Vera style bring distinctive features to surroundings.



## Black Olive

Black Olive Virna and Vera plates add a unique, Irresistible modern looks to your dream home. The color enriches the interior with a sophisticated look.





## Argent Grey

Argent Grey Virna and Vera plates are refined and elegant. The color characterise a unique flair of aesthetic and most sought after one to enhance the beauty of your dream home.



## Charcoal Black

Charcoal Black is a celebration of sculptural beauty, exquisite finishing and functional elegance. The finish transmits unprecedented charisma and allure to any Interior.

## Arsenic Black

Arsenic Black is graceful and elegant making it an answer to all kind of Interior requirements. Arsenic Black adds sophistication, glamour, efficiency and substance to your interior



## Champagne

Champagne is a timeless color and blends with all color palettes. The sparkling finish with irresistible looks makes it stand apart from all others.



## Candy Red

Candy Red is the color to catch the eyes. It brings aesthetic with energy and creates a modern environment for your home.



## Coral Red

Virna and Vera plates in Classy Coral Red finish create an exquisite flair to your decor. The Color harmoniously blends with all kind of interiors.



## English Walnut

English walnut Virna and Vera, with their exotic decor color, make you experience a luxurious life. English Walnut provide natural warmth and elegance to your exquisite decor.



## Burly Wood

The Burly Wood Virna and Vera plates give your interior a distinguished feature. The wood finish adds another dimension to your environment.

## British Green

Green the natural color represents the color of life. Divino British Green enhances the color of your walls. It brings unique freshness to your walls and is a natural choice of interior designers.





CG20114PW



CG23114



CG20123PW



CG23123



CG20509PW



CG23509



CG20056PW



CG23056



CG20634PW



CG23634



CG20826PW



CG23826



CG20801PW



CG23801

### Switches

Product Code - Pure White / Grey	HSN Code	Description	Type	No. of Modules	MRP (₹)	Std. Pkg. (Nos.)
<b>One-Way Switches</b>						
CG20113PW / CG23113	85361010	1P-6A	General	1	78	20
CG20114PW / CG23114	85361010	1P-6A	Luminous	1	114	
CG20573PW / CG23573	85361020	1P-16A	General	1	120	
CG20574PW / CG23574	85361020	1P-16A	Luminous	1	144	
CG20117PW / CG23117	85361020	1P-25A	General	1	168	
CG20118PW / CG23118	85361020	1P-25A	Luminous	1	211	
CG20120PW / CG23120	85361020	2P-32A	Luminous	2	342	10
<b>Two-Way Switches</b>						
CG20123PW / CG23123	85361010	1P-6A	General	1	103	20
CG20578PW / CG23578	85361020	1P-16A	General	1	168	

Product Code - Pure White / Grey	HSN Code	Description	Type	No. of Modules	MRP (₹)	Std. Pkg. (Nos.)
<b>Bell Push Switches</b>						
CG20508PW / CG23508	85361010	1P-6A	Luminous	1	140	20
CG20509PW / CG23509	85361010	1P-6A	With Symbol	1	106	

Product Code - Pure White / Grey	HSN Code	Description	Type	No. of Modules	MRP (₹)	Std. Pkg. (Nos.)
<b>Blanking Modules</b>						
CG20056PW / CG23056	85381010	1 Gang	-	1	20	40
CG20073PW / CG23073	85381010	2 Gang	-	2	40	20

Product Code - Pure White / Grey	HSN Code	Description	Type	No. of Modules	MRP (₹)	Std. Pkg. (Nos.)
<b>Neon Indicators</b>						
CG20634PW / CG23634	85361010	Red Color	-	1	86	20

### Fan Regulator / Dimmer

Product Code - Pure White / Grey	HSN Code	Description	Type	No. of Modules	MRP (₹)	Std. Pkg. (Nos.)
<b>Fan Regulator</b>						
CG20826PW / CG23826	85361010	5 Step (100W)	Rotary	2	384	10
CG20827PW / CG23827	85361010	4 Step (100W)	Rotary	1	304	20

Product Code - Pure White / Grey	HSN Code	Description	Type	No. of Modules	MRP (₹)	Std. Pkg. (Nos.)
<b>Dimmer</b>						
CG20801PW / CG23801	85361010	500W	Rotary (Stepless)	2	409	10
CG20804PW / CG23804	85361010	300W	Rotary (Stepless)	1	371	20

Accessories in 'OFF-WHITE' color are available on request.

For ordering 'OFF-WHITE' color accessories remove suffix PW from code of 'PURE WHITE' accessories for e.g CG20113PW



CG20353PW



CG23353



CG20228PW



CG20251PW



CG20274PW



CG20842PW



CG20842PW



CG20609PW



CG23609



CG20610PW



CG23610



CG20611PW



CG23611

## Socket

Product Code - Pure White / Grey	HSN Code	Description	For Plug Pin	No. of Modules	MRP (₹)	Std. Pkg. (Nos.)
<b>Sockets With Safety Shutters</b>						
CG20353PW / CG23353	85361010	6A-Multi Socket 5 Pin (Flushed)	Round	2	116	10
CG20354PW / CG23354	85361020	6/16A Twin Socket 3 Pin (Flushed)	Round	3	204	6
CG20352PW / CG23352	85361020	6/16A Twin Socket 3 Pin (Projected)	Round	2		10
CG20355PW / CG23355	85361020	25A-Socket (Flushed)	Round	3	214	6
CG20356PW / CG23356	85361020	25A-Socket (Projected)	Round	2		10
CG20358PW / CG23358	85361010	13A-Socket	Universal	3	233	6
CG20359PW / CG23359	85361010	6A- 2 Pin Socket	Round	1	89	20

Product Code - Pure White / Grey	HSN Code	Description	Nos. Pairs	For Plug Pin	No. of Modules	MRP (₹)	Std. Pkg. (Nos.)
<b>Telephone / Computer / TV Socket</b>							
CG20251PW / CG23251	85361010	RJ11	2	Twisted pair	1	91	20
CG20271PW / CG23271	85361010	RJ45 CAT5e	4	UTP		404	
CG20228PW / CG23228	85361010	TV Socket	-	-		91	
CG20272PW / CG23272	85361010	RJ45 CAT6	4	UTP		504	
CG20273PW / CG23273	85361010	RJ45 CAT6a		UTP	1045		

## USB Charger

Product Code - Pure White / Grey	HSN Code	Description	No. of Modules	MRP (₹)	Std. Pkg. (Nos.)
CG20274PW / CG23274	85044030	USB Charger Socket	1	589	20

## Hospitality Range

Product Code - Pure White / Grey	HSN Code	Description	No. of Modules	MRP (₹)	Std. Pkg. (Nos.)
<b>Shaver Socket</b>					
CG20842PW / CG23842	85361010	230V-/110V-Shaver Socket	3	745	6
<b>Energy Key Tag</b>					
CG20815PW / CG23815	85361020	1P-25A, 230V-Energy Key Switch With Tag	2	369	1
CG20434PW / CG23433	85361010	Tag For Energy Key Tag	-	70	-
Application activation of functions service inside hotel rooms (e.g.m light, air-conditioner, minibar) when the room is occupied (with badge inserted)					
<b>Do Not Disturb</b>					
CG20609PW / CG23609	85361010	Indicator	1	90	20
CG20124PW / CG23124	85361010	6A-230V, IW, SP Luminous Switch		114	
CG20612PW / CG23612	85361010	Unit (Indicator+Switch)	1+1	198	10
<b>Room Occupied</b>					
CG20610PW / CG23610	85361010	Indicator	1	90	20
CG20125PW / CG23125	85361010	6A-230V, IW, SP Luminous Switch		114	
CG20613PW / CG23613	85361010	Unit (Indicator+Switch)	1+1	198	10
<b>Make My Room</b>					
CG20611PW / CG23611	85361010	Indicator	1	90	20
CG20126PW / CG23126	85361010	6A-230V, IW, SP Luminous Switch		114	
CG20614PW / CG23614	85361010	Unit (Indicator+Switch)	1+1	198	10



CG20825PW



CG20632



CG20436PW



CG20443PW



CG26401PW



CG20431PW

Product Code - Pure White / Grey	HSN Code	Description	No. of Modules	MRP (₹)	Std. Pkg. (Nos.)
<b>Time Delay Electronic Switch (Card Operated)</b>					
CG20825PW / CG23825	85361020	25A	3	1174	6
<b>Foot Lamp</b>					
CG20631	94051090	230V-LED Yellow Night Lamp	3	323	6
CG20632	94051090	230V-LED Blue Night Lamp			
CG20633	94051090	230V-LED White Night Lamp			

<b>Modular Miniature Case Circuit Breaker - WiNtrip 'S'</b>					
Product Code - Pure White	HSN Code	Description	No. of Modules	MRP (₹)	Std. Pkg. (Nos.)
<b>Single Pole</b>					
CG20431PW	85361010	6A Single Pole 4.5kA - Tripping Curve 'C'	1	175	12
CG20432PW	85361010	10A Single Pole 4.5kA - Tripping Curve 'C'			
CG20433PW	85361020	16A Single Pole 4.5kA - Tripping Curve 'C'			
CG20437PW	85361020	20A Single Pole 4.5kA - Tripping Curve 'C'			
CG20435PW	85361020	25A Single Pole 4.5kA - Tripping Curve 'C'			
CG20436PW	85361020	32A Single Pole 4.5kA - Tripping Curve 'C'			
<b>Double Pole</b>					
CG20438PW	85361010	6A Double Pole 4.5kA - Tripping Curve 'C'	2	425	6
CG20439PW	85361010	10A Double Pole 4.5kA - Tripping Curve 'C'			
CG20440PW	85361020	16A Double Pole 4.5kA - Tripping Curve 'C'			
CG20441PW	85361020	20A Double Pole 4.5kA - Tripping Curve 'C'			
CG20442PW	85361020	25A Double Pole 4.5kA - Tripping Curve 'C'			
CG20443PW	85361020	32A Double Pole 4.5kA - Tripping Curve 'C'			

<b>Power Unit</b>					
Product Code - Pure White / Grey	HSN Code	Description	MRP (₹)	Std. Pkg. (Nos.)	
CG26401PW	85371000	16Amp Power Unit	780	1	
CG26402PW	85371000	20Amp Power Unit	792		
CG26403PW	85371000	25Amp Power Unit			

<b>Motor Starter</b>					
Product Code - Pure White / Grey	HSN Code	Description	No. of Modules	MRP (₹)	Std. Pkg. (Nos.)
CG20362PW / CG23362	85361020	Motor Starter 16A	2	391	1
CG20364PW / CG23364	85361020	Motor Starter 25A	2	498	



Pure White

### Pure White Cover Plates with Support Plate

Product Code - Vera / Verna	HSN Code	Description	MRP (₹)	Std. Pkg. (Nos.)
CG25701PW / CG25801PW	85381010	1 Module Plate	67	10
CG25702PW / CG25802PW	85381010	2 Module Plate		
CG25703PW / CG25803PW	85381010	3 Module Plate		
CG25704PW / CG25804PW	85381010	4 Module Plate		
CG25706PW / CG25806PW	85381010	6 Module Plate	176	5
CG25708PW / CG25808PW	85381010	8 Module Plate - Vertical		
CG25709PW / CG25809PW	85381010	8 Module Plate - Horizontal		
CG25712PW / CG25812PW	85381010	12 Module Plate		
CG25718PW / CG25818PW	85381010	18 Module Plate	336	



Glossy Grey

### Glossy Grey Cover Plates with Support Plate

Product Code - Vera / Verna	HSN Code	Description	MRP (₹)	Std. Pkg. (Nos.)
CG25701GR / CG25801GR	85381010	1 Module Plate	80	10
CG25702GR / CG25802GR	85381010	2 Module Plate		
CG25703GR / CG25803GR	85381010	3 Module Plate		
CG25704GR / CG25804GR	85381010	4 Module Plate		
CG25706GR / CG25806GR	85381010	6 Module Plate	185	5
CG25708GR / CG25808GR	85381010	8 Module Plate - Vertical		
CG25709GR / CG25809GR	85381010	8 Module Plate - Horizontal		
CG25712GR / CG25812GR	85381010	12 Module Plate		
CG25718GR / CG25818GR	85381010	18 Module Plate	294	



Cadet Grey

### Cadet Grey Cover Plates with Support Plate

Product Code - Vera / Verna	HSN Code	Description	MRP (₹)	Std. Pkg. (Nos.)
CG25701CG / CG25801CG	85381010	1 Module Plate	194	10
CG25702CG / CG25802CG	85381010	2 Module Plate		
CG25703CG / CG25803CG	85381010	3 Module Plate		
CG25704CG / CG25804CG	85381010	4 Module Plate	273	5
CG25706CG / CG25806CG	85381010	6 Module Plate	368	
CG25708CG / CG25808CG	85381010	8 Module Plate - Vertical	410	
CG25709CG / CG25809CG	85381010	8 Module Plate - Horizontal		
CG25712CG / CG25812CG	85381010	12 Module Plate	504	
CG25718CG / CG25818CG	85381010	18 Module Plate	683	



Black Olive

Black Olive Cover Plates with Support Plate				
Product Code - Vera / Verna	HSN Code	Description	MRP (₹)	Std. Pkg. (Nos.)
CG25701BO / CG25801BO	85381010	1 Module Plate	194	10
CG25702BO / CG25802BO	85381010	2 Module Plate		
CG25703BO / CG25803BO	85381010	3 Module Plate	233	
CG25704BO / CG25804BO	85381010	4 Module Plate	273	
CG25706BO / CG25806BO	85381010	6 Module Plate	368	5
CG25708BO / CG25808BO	85381010	8 Module Plate - Vertical		
CG25709BO / CG25809BO	85381010	8 Module Plate - Horizontal		
CG25712BO / CG25812BO	85381010	12 Module Plate	504	
CG25718BO / CG25818BO	85381010	18 Module Plate	683	



Argent Grey

Argent Grey Cover Plates with Support Plate				
Product Code - Vera / Verna	HSN Code	Description	MRP (₹)	Std. Pkg. (Nos.)
CG25701AG / CG25801AG	85381010	1 Module Plate	194	10
CG25702AG / CG25802AG	85381010	2 Module Plate		
CG25703AG / CG25803AG	85381010	3 Module Plate	233	
CG25704AG / CG25804AG	85381010	4 Module Plate	273	
CG25706AG / CG25806AG	85381010	6 Module Plate	368	5
CG25708AG / CG25808AG	85381010	8 Module Plate - Vertical		
CG25709AG / CG25809AG	85381010	8 Module Plate - Horizontal		
CG25712AG / CG25812AG	85381010	12 Module Plate	504	
CG25718AG / CG25818AG	85381010	18 Module Plate	683	



Charcoal Black

Charcoal Black Cover Plates with Support Plate				
Product Code - Vera / Verna	HSN Code	Description	MRP (₹)	Std. Pkg. (Nos.)
CG25701CB / CG25801CB	85381010	1 Module Plate	194	10
CG25702CB / CG25802CB	85381010	2 Module Plate		
CG25703CB / CG25803CB	85381010	3 Module Plate	233	
CG25704CB / CG25804CB	85381010	4 Module Plate	273	
CG25706CB / CG25806CB	85381010	6 Module Plate	368	5
CG25708CB / CG25808CB	85381010	8 Module Plate - Vertical		
CG25709CB / CG25809CB	85381010	8 Module Plate - Horizontal		
CG25712CB / CG25812CB	85381010	12 Module Plate	504	
CG25718CB / CG25818CB	85381010	18 Module Plate	683	





Arsenic Black

### Arsenic Black Cover Plates with Support Plate

Product Code - Vera / Verna	HSN Code	Description	MRP (₹)	Std. Pkg. (Nos.)
CG25701AB / CG25801AB	85381010	1 Module Plate	194	10
CG25702AB / CG25802AB	85381010	2 Module Plate		
CG25703AB / CG25803AB	85381010	3 Module Plate	233	
CG25704AB / CG25804AB	85381010	4 Module Plate	273	
CG25706AB / CG25806AB	85381010	6 Module Plate	368	5
CG25708AB / CG25808AB	85381010	8 Module Plate - Vertical		
CG25709AB / CG25809AB	85381010	8 Module Plate - Horizontal	410	
CG25712AB / CG25812AB	85381010	12 Module Plate	504	
CG25718AB / CG25818AB	85381010	18 Module Plate	683	



Champagne

### Champagne Cover Plates with Support Plate

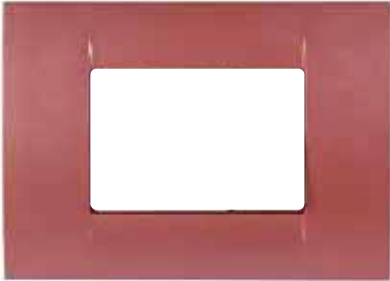
Product Code - Vera / Verna	HSN Code	Description	MRP (₹)	Std. Pkg. (Nos.)
CG25701CH / CG25801CH	85381010	1 Module Plate	194	10
CG25702CH / CG25802CH	85381010	2 Module Plate		
CG25703CH / CG25803CH	85381010	3 Module Plate	233	
CG25704CH / CG25804CH	85381010	4 Module Plate	273	
CG25706CH / CG25806CH	85381010	6 Module Plate	368	5
CG25708CH / CG25808CH	85381010	8 Module Plate - Vertical		
CG25709CH / CG25809CH	85381010	8 Module Plate - Horizontal	410	
CG25712CH / CG25812CH	85381010	12 Module Plate	504	
CG25718CH / CG25818CH	85381010	18 Module Plate	683	



Candy Red

### Candy Red Cover Plates with Support Plate

Product Code - Vera / Verna	HSN Code	Description	MRP (₹)	Std. Pkg. (Nos.)
CG25701CAR / CG25801CAR	85381010	1 Module Plate	194	10
CG25702CAR / CG25802CAR	85381010	2 Module Plate		
CG25703CAR / CG25803CAR	85381010	3 Module Plate	233	
CG25704CAR / CG25804CAR	85381010	4 Module Plate	273	
CG25706CAR / CG25806CAR	85381010	6 Module Plate	368	5
CG25708CAR / CG25808CAR	85381010	8 Module Plate - Vertical		
CG25709CAR / CG25809CAR	85381010	8 Module Plate - Horizontal	410	
CG25712CAR / CG25812CAR	85381010	12 Module Plate	504	
CG25718CAR / CG25818CAR	85381010	18 Module Plate	683	



Coral Red

Coral Red Cover Plates with Support Plate				
Product Code - Vera / Verna	HSN Code	Description	MRP (₹)	Std. Pkg. (Nos.)
CG25701COR / CG25801COR	85381010	1 Module Plate	194	10
CG25702COR / CG25802COR	85381010	2 Module Plate		
CG25703COR / CG25803COR	85381010	3 Module Plate	233	
CG25704COR / CG25804COR	85381010	4 Module Plate	273	
CG25706COR / CG25806COR	85381010	6 Module Plate	410	5
CG25708COR / CG25808COR	85381010	8 Module Plate - Vertical		
CG25709COR / CG25809COR	85381010	8 Module Plate - Horizontal	504	
CG25712COR / CG25812COR	85381010	12 Module Plate	683	
CG25718COR / CG25818COR	85381010	18 Module Plate		



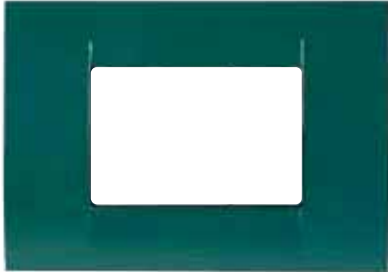
English Walnut

English Walnut Cover Plates with Support Plate				
Product Code - Vera / Verna	HSN Code	Description	MRP (₹)	Std. Pkg. (Nos.)
CG25701EW / CG25801EW	85381010	1 Module Plate	252	10
CG25702EW / CG25802EW	85381010	2 Module Plate		
CG25703EW / CG25803EW	85381010	3 Module Plate	315	
CG25704EW / CG25804EW	85381010	4 Module Plate	378	
CG25706EW / CG25806EW	85381010	6 Module Plate	546	5
CG25708EW / CG25808EW	85381010	8 Module Plate - Vertical		
CG25709EW / CG25809EW	85381010	8 Module Plate - Horizontal	714	
CG25712EW / CG25812EW	85381010	12 Module Plate	840	
CG25718EW / CG25818EW	85381010	18 Module Plate		



Burly Wood

Burly Wood Cover Plates with Support Plate				
Product Code - Vera / Verna	HSN Code	Description	MRP (₹)	Std. Pkg. (Nos.)
CG25701BW / CG25801BW	85381010	1 Module Plate	252	10
CG25702BW / CG25802BW	85381010	2 Module Plate		
CG25703BW / CG25803BW	85381010	3 Module Plate	315	
CG25704BW / CG25804BW	85381010	4 Module Plate	378	
CG25706BW / CG25806BW	85381010	6 Module Plate	546	5
CG25708BW / CG25808BW	85381010	8 Module Plate - Vertical		
CG25709BW / CG25809BW	85381010	8 Module Plate - Horizontal	714	
CG25712BW / CG25812BW	85381010	12 Module Plate	840	
CG25718BW / CG25818BW	85381010	18 Module Plate		



British Green

### British Green Cover Plates with Support Plate

Product Code - Vera / Verna	HSN Code	Description	MRP (₹)	Std. Pkg. (Nos.)
CG25701BG / CG25801BG	85381010	1 Module Plate	194	10
CG25702BG / CG25802BG	85381010	2 Module Plate		
CG25703BG / CG25803BG	85381010	3 Module Plate		
CG25704BG / CG25804BG	85381010	4 Module Plate	273	5
CG25706BG / CG25806BG	85381010	6 Module Plate	368	
CG25708BG / CG25808BG	85381010	8 Module Plate - Vertical	410	
CG25709BG / CG25809BG	85381010	8 Module Plate - Horizontal		
CG25712BG / CG25812BG	85381010	12 Module Plate	504	
CG25718BG / CG25818BG	85381010	18 Module Plate	683	

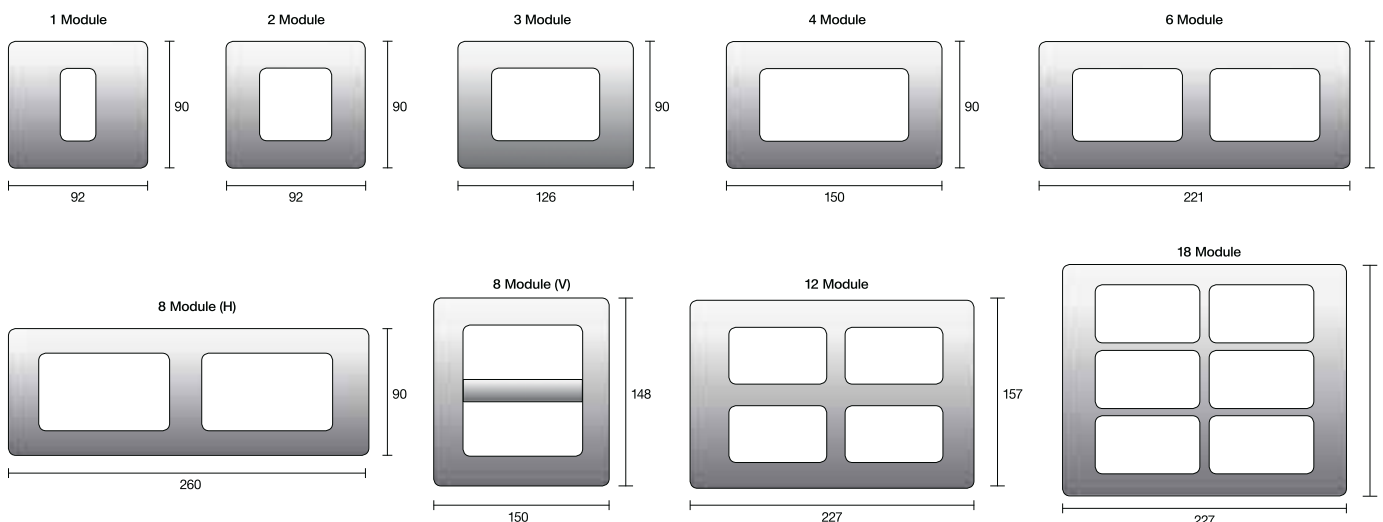


### Metal Boxes- Fabricated

Product Code	HSN Code	Description	Fabricated Ext. Dim. LxHxD (mm)	MRP (₹)	Std. Pkg. (Nos.)
CG24271	85381010	1M Metal Box	75 X 75 X 50	55	10
CG24271	85381010	2M Metal Box	75 X 75 X 50		
CG24272	85381010	3M Metal Box	100 X 75 X 50		
CG24273	85381010	4M Metal Box	135 X 76 X 50	89	5
CG24274	85381010	6M Metal Box	210 X 75 X 50	126	
CG24275	85381010	8M (4 +4) Metal Box	134 X 140 X 52		
CG24276	85381010	8M (Horizontal) Metal Box	232 X 79 X 52	158	
CG24277	85381010	12M Metal Box	210 X 140 X 50	179	
CG24278	85381010	18M Metal Box	210 X 210 X 56	252	

\* 10M Top Plate shall be fitted in 8M (4+4) Vertical Metal Box (i.e. CG 24 275)  
 \* 5M Top Plate Shall be fitted in 4M Metal Box (i.e. CG 24 273)  
 \* Deep Drawn Metal Boxes are available on request.

### Cover Plate Sizes (All dimensions in mm)

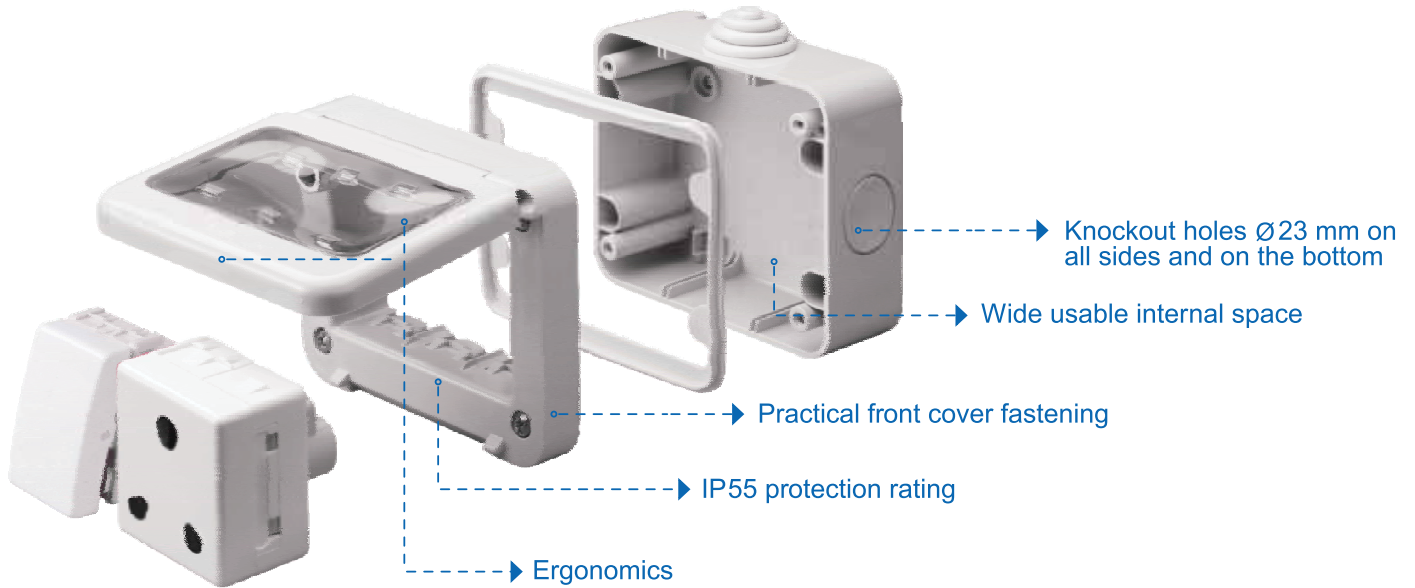


# COMBI RANGE

For Dustproof & Waterproof Application

## CHARACTERISTICS AND ADVANTAGES

The COMBI range offers the widest choice of enclosures for all installation requirements with weatherproof installations up to IP55.



# DUST PROOF. WATER PROOF.

A switch designed to win the biggest test.  
**NATURE.**





CG26000W

CG26400W



CG24025W



CG26012W



CG26034W



CG26009W

IP55 & IP40 Enclosures					
Product Code - White	HSN Code	Description	Configuration	MRP (₹)	Std. Pkg. (Nos.)
<b>Watertight And Dust Proof Enclosures IP55-Surface Mounting</b>					
CG26000W	85371000	Bell Push	1 Module	412	1
CG26400W	85371000	16A Switch, 6/16A Socket	3 Module	701	
CG26016W	85371000	6A Switch	1 Module	380	
<b>Watertight Plates For Flush Mounting Installations IP55 (Compatible with 3M concealed box)</b>					
CG24025W	85381010	3 Gang		436	1

Product Code - White	HSN Code	Description	Configuration	MRP (₹)	Std. Pkg. (Nos.)
<b>Watertight Enclosures For Fixed Or Movable Applications</b>					
CG26010W	85381010	1 Gang	Module 1	80x64x59	10
CG26011W	85381010	2 Gang	Module 2	80x64x59	
CG26012W	85381010	3 Gang	Module 3	80x96x59	
CG26013W	85381010	4 Gang	Module 4x1	80x128x59	
CG26014W	85381010	8 Gang	Module 4x2	160x128x59	5
CG26015W	85381010	12 Gang	Module 4x3	240x128x59	3

Product Code - White	HSN Code	Description	Configuration	MRP (₹)	Std. Pkg. (Nos.)
<b>Protected Enclosures For Fixed Or Movable Applications Colour White IP40-Vertical Layout</b>					
CG26005W	85381010	4 Gang	Module 2x2	80x128x50	10
CG26007W	85381010	6 Gang	Module 2x3	80x192x50	4
CG26033W	85381010	8 Gang	Module 2x4	80x256x50	6
CG26034W	85381010	12 Gang	Module 4x3	128x192x50	2

Product Code - White	HSN Code	Description	Configuration	MRP (₹)	Std. Pkg. (Nos.)
<b>Protected Enclosures For Fixed Or Movable Applications Colour White IP40-Horizontal Layout</b>					
CG26001W	85381010	1 Gang	Module 1	168	10
CG26002W	85381010	2 Gang	Module 2	176	
CG26003W	85381010	3 Gang	Module 3	236	
CG26031W	85381010	4 Gang	Module 4	268	
CG26004W	85381010	4 Gang	Module 2x2		4
CG26006W	85381010	6 Gang	Module 2x3	362	
CG26008W	85381010	8 Gang	Module 2x4	457	
CG26009W	85381010	10 Gang	Module 2x5	586	2
CG26032W	85381010	12 Gang	Module 4x3	735	

## Handy/Add-on Power Extension Box



CG25001W

Product Code White	HSN Code	Description	MRP (₹)	Std. Pkg. (Nos.)
<b>Protected Extension Boxes IP40 with 2.5 meter long wire</b>				
CG25001W	85371000	2 nos. Luminous 6A Switch with 2 nos. 6A Multi Sockets	974	1
CG25002W	85371000	2 nos. Luminous 6A Switch with 3 nos. 6A Multi Sockets	1100	
CG25003W	85371000	2 nos. Luminous 16A Switch with 1 no. 6A Multi Sockets & 2 nos. 6/16A Socket	1463	
CG25004W	85371000	2 nos. Luminous 16A Switch with 2 nos. 13A Universal Sockets in Square Box	1349	
CG25007W	85371000	2 nos. Luminous 6A Switch with 4 nos. 6A Multi Sockets	1405	
CG25008W	85371000	2 nos. Luminous 16A Switch with 4 nos. 6/16A Sockets	1869	
CG25009W	85371000	1 no. General 6A Switch & 1 no. Luminous 16A Switch with 3 nos. 6A Multi Socket and 1 no. 6/16A Socket	1575	
CG25010W	85371000	1 no. 25A Luminous Switch with 2 Nos. 6A Multi Socket & 1 no. 6/16A Socket & 1 no. 6A -2 Pin Socket	1068	
CG25011W	85371000	1 nos. 6A Luminous Switch with 4 nos. 6A Multi Socket & 1 no. 6A - 2 Pin Socket	1122	

## ACCESSORIES



CG28015W

<b>Top Plug</b>				
Product Code White	HSN Code	Description	MRP (₹)	Std. Pkg. (Nos.)
CG28014	85361010	6A Plug Top	58	10
CG28015	85361020	16A Plug Top	80	
CG28018	85361020	25A Plug Top	113	



CG28017W

<b>Top Plug with Indicator</b>				
Product Code White	HSN Code	Description	MRP (₹)	Std. Pkg. (Nos.)
CG28017	85361020	16A Plug Top	90	10
CG28019	85361020	25A Plug Top	135	



ACBHS001



ACBHS004

<b>Batten Holder</b>				
Product Code	HSN Code	Description	MRP (₹)	Std. Pkg. (Nos.)
ACBHS001	85381010	Batten Holder Straight (Plain)	50	20
ACBHA003	85381010	Batten Holder Angular (Plain)		
ACBHS002	85381010	Batten Holder Straight (Fancy)	60	
ACBHA004	85381010	Batten Holder Angular (Fancy)		



CS20114



CS20123



CS20511



CS20056



CS20631



CS20801



CS20363

Switches						
Product Code - Pure White	HSN Code	Description	Type	No. Modules	MRP (₹)	Std. Pkg. (Nos.)
<b>One-Way Switches</b>						
CS20113	85361010	6A, 250V	General	1	71	20
CS20114	85361010	6A, 250V	Luminous	1	86	
CS20115	85361010	6A, 250V	Luminous	2	114	10
CS20573	85361020	16A, 250V	General	1	86	20
CS20574	85361020	16A, 250V	Luminous	1	99	
CS20575	85361020	16A, 250V	Luminous	2	148	10
CS20117	85361020	25A, 250V	General	1	141	20
CS20118	85361020	25A, 250V	Luminous	1	171	
CS20119	85361020	25A, 250V	General	2	182	10
CS20120	85361020	25A, 250V	Luminous	2	209	
<b>Two-Way Switches</b>						
CS20123	85361010	6A, 250V	General	1	76	20
CS20124	85361010	6A, 250V	General	2	114	10
CS20578	85361020	16A, 250V	General	1	129	20
CS20579	85361020	16A, 250V	General	2	148	10

Product Code - Pure White	HSN Code	Description	Type	No. Modules	MRP (₹)	Std. Pkg. (Nos.)
<b>Bell Push Switches</b>						
CS20509	85361010	6A, Bell Push	General	1	86	20
CS20508	85361010	6A, Bell Push	Luminous	1	106	
CS20510	85361010	6A, Bell Push	General	2	116	10
CS20511	85361010	6A, Bell Push	Luminous	2	129	
<b>Blanking Module</b>						
CS20056	85381010	1M Blank	General	1	18	50

Product Code - Pure White	HSN Code	Description	No. Modules	MRP (₹)	Std. Pkg. (Nos.)
<b>Neon Indicator</b>					
CS20631	85361010	Neon Indicator Red	1	67	20

Product Code - Pure White	HSN Code	Description	No. Modules	MRP (₹)	Std. Pkg. (Nos.)
<b>Fan Regulator / Dimmer</b>					
CS20826	85361010	5- Step Fan Regulator 100W	2	350	10
CS20827	85361010	4- Step Fan Regulator 100W	1	291	20
CS20801	85361010	Rotary Type Dimmer 500W	2	344	10
CS20804	85361010	Rotary Type Dimmer 300W	1	276	20
<b>Sockets with Safety Shutters</b>					
CS20353	85361010	6A, 5 Pin	2	95	10
CS20352	85361020	6/16A, 6 Pin	3	144	
CS20354	85361020	6/16A, Socket Projected	2	127	
CS20355	85361020	6/25A, 6 Pin	3	160	
CS20356	85361020	6/16/25A, 6 Pin Socket Projected	2	165	
CS20362	85361020	6/16A, Combined Socket & Button	3	350	
CS20363	85361020	6/25A, Combined Socket & Button	3	400	





CS20359



CS20228



CS20251



CS20274



CS20815



CS20431



CS20443

Product Code - Pure White	HSN Code	Description	No. Modules	MRP (₹)	Std. Pkg. (Nos.)
<b>2 Pin Socket</b>					
CS20359	85361010	6A, 2 Pin Socket	1	80	20

Product Code - Pure White	HSN Code	Description	No. Modules	MRP (₹)	Std. Pkg. (Nos.)
<b>TV Socket / Flex Outlet</b>					
CS20228	85361010	TV Socket	1	87	20
CS20237	85361010	Flex Outlet	1	32	

Product Code - Pure White	HSN Code	Description	No. Modules	MRP (₹)	Std. Pkg. (Nos.)
<b>Telephone / Computer Socket</b>					
CS20251	85361010	RJ 11, Telephone Jack	1	87	20
CS20271	85361010	RJ 45, Computer Jack CAT5e	1	312	
CS20272	85361010	RJ 45, Computer Jack CAT6	1	485	
CS20273	85361010	RJ 45, Computer Jack CAT6a	1	931	

<b>USB Charger</b>					
Product Code - Pure White	HSN Code	Description	No. of Modules	MRP (₹)	Std. Pkg. (Nos.)
CS20274	85044030	USB Charger Socket	1	580	20

Product Code - Pure White	HSN Code	Description	No. Modules	MRP (₹)	Std. Pkg. (Nos.)
<b>Energy Saving Switch</b>					
CS20815	85361020	25A, Energy Saving Switch With Key Teg & Indicator	2	357	1
<b>APPLICATION:</b> activation of functions and service inside hotel rooms (e.g. light, air-conditioner, minibar) when the room is occupied (with badge inserted).					

<b>Modular Miniature Case Circuit Breaker - WiNtrip 'S'</b>					
Product Code - Pure White	HSN Code	Description	No. of Modules	MRP (₹)	Std. Pkg. (Nos.)
<b>Single Pole</b>					
CS20431	85361010	6A Single Pole 4.5kA - Tripping Curve 'C'	1	175	12
CS20432	85361010	10A Single Pole 4.5kA - Tripping Curve 'C'			
CS20433	85361020	16A Single Pole 4.5kA - Tripping Curve 'C'			
CS20437	85361020	20A Single Pole 4.5kA - Tripping Curve 'C'			
CS20435	85361020	25A Single Pole 4.5kA - Tripping Curve 'C'			
CS20436	85361020	32A Single Pole 4.5kA - Tripping Curve 'C'			
<b>Double Pole</b>					
CS20438	85361010	6A Double Pole 4.5kA - Tripping Curve 'C'	2	425	6
CS20439	85361010	10A Double Pole 4.5kA - Tripping Curve 'C'			
CS20440	85361020	16A Double Pole 4.5kA - Tripping Curve 'C'			
CS20441	85361020	20A Double Pole 4.5kA - Tripping Curve 'C'			
CS20442	85361020	25A Double Pole 4.5kA - Tripping Curve 'C'			
CS20443	85361020	32A Double Pole 4.5kA - Tripping Curve 'C'			



CS20436N

CS20438N



CS26401W



CS25703WH



CS25703RD



### Non-Modular Miniature Case Circuit Breaker - WiNtrip 'S'

Product Code - Pure White	HSN Code	Description	No. of Modules	MRP (₹)	Std. Pkg. (Nos.)
<b>Single &amp; Double Pole</b>					
CS20431N	85361010	6A Single Pole 4.5kA - Tripping Curve 'C'	1	175	12
CS20432N	85361010	10A Single Pole 4.5kA - Tripping Curve 'C'			
CS20433N	85361020	16A Single Pole 4.5kA - Tripping Curve 'C'			
CS20437N	85361020	20A Single Pole 4.5kA - Tripping Curve 'C'			
CS20435N	85361020	25A Single Pole 4.5kA - Tripping Curve 'C'			
CS20436N	85361020	32A Single Pole 4.5kA - Tripping Curve 'C'	2	425	6
CS20438N	85361010	6A Double Pole 4.5kA - Tripping Curve 'C'			
CS20439N	85361010	10A Double Pole 4.5kA - Tripping Curve 'C'			
CS20440N	85361020	16A Double Pole 4.5kA - Tripping Curve 'C'			
CS20441N	85361020	20A Double Pole 4.5kA - Tripping Curve 'C'			
CS20442N	85361020	25A Double Pole 4.5kA - Tripping Curve 'C'			
CS20443N	85361020	32A Double Pole 4.5kA - Tripping Curve 'C'			

### Power Unit

Product Code - Pure White	HSN Code	Description	No. of Modules	MRP (₹)	Std. Pkg. (Nos.)
CS26401W	85371000	Power Unit Combo 16A MCB Protected Socket	4	706	1
CS26402W	85371000	Power Unit Combo 20A MCB Protected Socket		769	
CS26403W	85371000	Power Unit Combo 25A MCB Protected Socket			

### Top Plates with Support Plate

Product Code - Pure White	HSN Code	Description	MRP (₹)	Std. Pkg. (Nos.)
CS25701WH	85381010	1 Module Plate	63	10
CS25702WH	85381010	2 Module Plate		
CS25703WH	85381010	3 Module Plate	80	
CS25704WH	85381010	4 Module Plate	92	
CS25705WH	85381010	5 Module Plate (Compatible With 4M Metal Box)		
CS25706WH	85381010	6 Module Plate	126	
CS25707WH	85381010	8 Module-Horizontal	160	5
CS25709WH	85381010	8 Module Plate Horizontal (Compatible With 6M Metal Box)		
CS25710WH	85381010	10 Module-Vertical (Compatible With 8M (4+4) Metal Box)		
CS25711WH	85381010	10 Module-Horizontal (Compatible With 8M (H) Metal Box)	210	
CS25712WH	85381010	12 Module Plate		
CS25716WH	85381010	16 Module Plate (Compatible With 12M Metal Box)	286	
CS25718WH	85381010	18 Module Plate	294	

### Red / Yellow/ Green/ Blue / Grey Plates

CS25701	85381010	1 Module Plate	76	10
CS25702	85381010	2 Module Plate		
CS25703	85381010	3 Module Plate	101	
CS25704	85381010	4 Module Plate	109	
CS25705	85381010	5 Module Plate (Compatible With 4M Metal Box)		
CS25706	85381010	6 Module Plate	143	
CS25707	85381010	8 Module Horizontal (Compatible With 6M Metal Box)	221	
CS25710	85381010	10 Module-Vertical (Compatible With 8M (4+4) Metal Box)	176	5
CS25711	85381010	10 Module-Horizontal (Compatible With 8M (H) Metal Box)		
CS25712	85381010	12 Module Plate	227	
CS25716	85381010	16 Module Plate (Compatible With 12M Metal Box)	315	
CS25718	85381010	18 Module Plate	368	

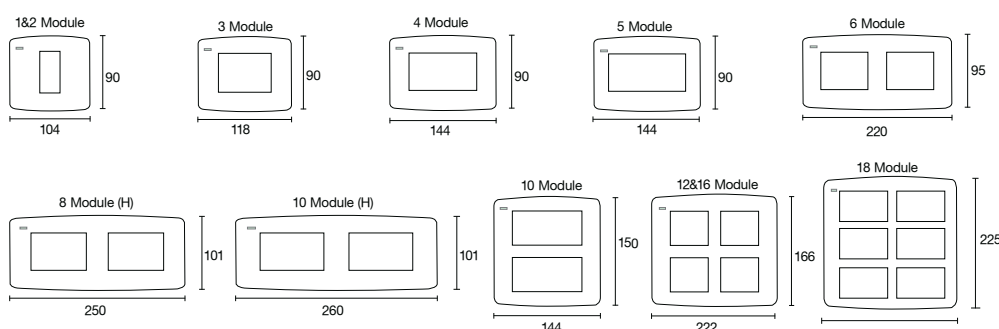
Please add following to codes for color selection GR for Grey / RD for RED / YL for Yellow / BL for Blue/ GN for Green e.g. for ordering one module red plate code would be CS25701RD



CS25703WN

Top Plates with Support Plate				
Product Code - Pure White	HSN Code	Description	MRP (₹)	Std. Pkg. (Nos.)
<b>Wooden</b>				
CS25701WN	85381010	1 Module Plate	151	10
CS25702WN	85381010	2 Module Plate		
CS25703WN	85381010	3 Module Plate	189	
CS25704WN	85381010	4 Module Plate	210	
CS25705WN	85381010	5 Module Plate (Compatible With 4M Metal Box)		
CS25706WN	85381010	6 Module Plate	269	
CS25707WN	85381010	8 Module Horizontal (Compatible With 6M Metal Box)	375	5
CS25710WN	85381010	10 Module-Vertical (Compatible With 8M (4+4) Metal Box)		
CS25711WN	85381010	10 Module-Horizontal (Compatible With 8M (H) Metal Box)		
CS25712WN	85381010	12 Module Plate	462	
CS25716WN	85381010	16 Module Plate (Compatible With 12M Metal Box)	504	
CS25718WN	85381010	18Module Plate	588	

**Cover Plate Sizes (All dimensions in mm)**



**General Terms & Conditions**

Price are subject to revision without prior notice and will be applicable as prevailing at the time of dispatch.

- This Pricelist supersedes all previous Pricelist.
- All prices are Maximum Retail Prices (MRP) inclusive of GST & levies.
- Prices are subject to change without any prior notice.
- All dispatches shall be made on the prevailing prices at the time of dispatch.
- Orders will be accepted in multiples of standard packing only.
- For up-gradation of products, designs are subject to change without any prior notice.
- All disputes are subject to Delhi Jurisdiction only..
- All Prices are in Indian Rupees.

**Warranty**

All our listed Electro-mechanical wiring devices carry a warranty, against manufacturing defects for a period of 10 years from the date of invoicing & 2 years for all mains related electronic wiring products viz. Dimmers, Step Fan regulator and Indicators subject to it's usages in normal recommended operating conditions. Guarantee does not include Metal boxes, Plug Tops and other stand alone items. The guarantee defines the company's entire liability & does not cover consequences loss or damage or reinstallations cost arising from defective product. The company liability shall be limited to exchange or repair of the product, at our discretion, provided that such defective products are returned to nearest Branch office.

**CENTRAL CUSTOMER CARE (CCC)**

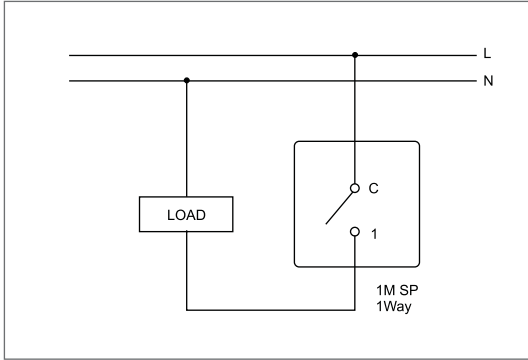
Single stop Customer Support for all service needs, please contact:

**C&S Electric Ltd.**  
Low Voltage Components Division  
222, Okhla Industrial Estate, Phase- III, New Delhi -110020  
Toll Free Number: 1800-3010-2012  
E-mail: customercare@cselectric.co.in

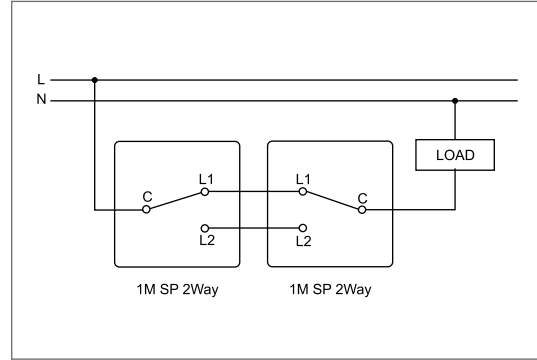
**POR - Price on request**

Products have been classified as Stockable & Non Stockable items.  
Non Stockable items has been marked as

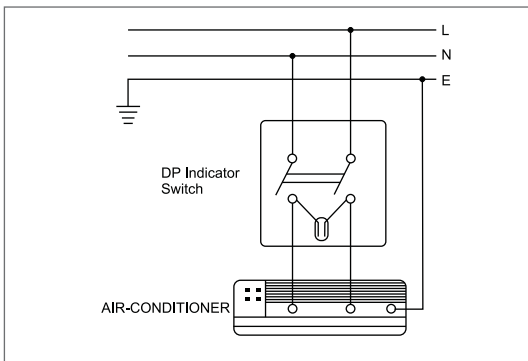
## One Way Switch



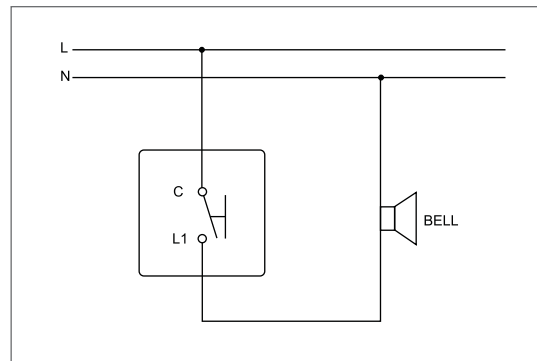
## Two Way Switch



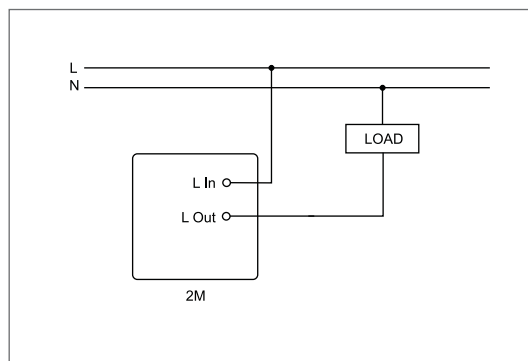
## Double-Pole Switch



## Bell Push

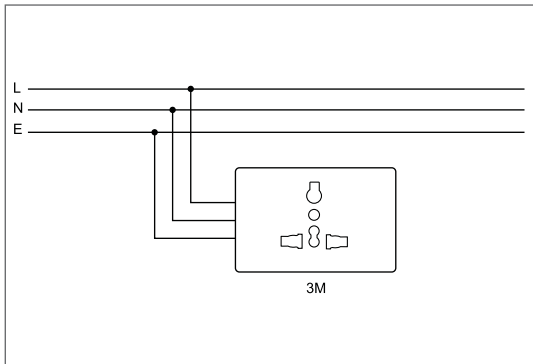


## Light Dimmer

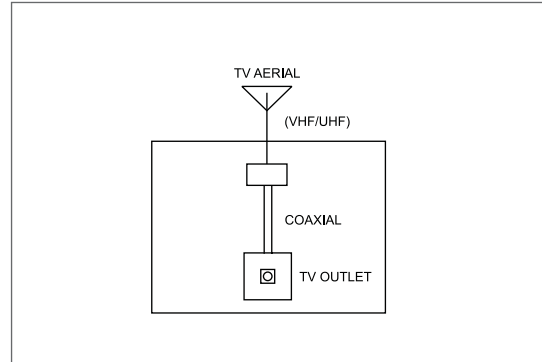


# Wiring Diagram

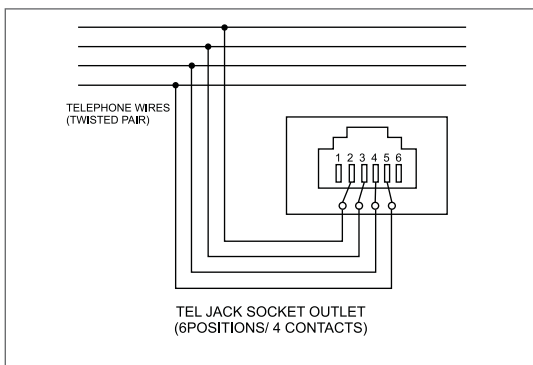
## 13A Sockets



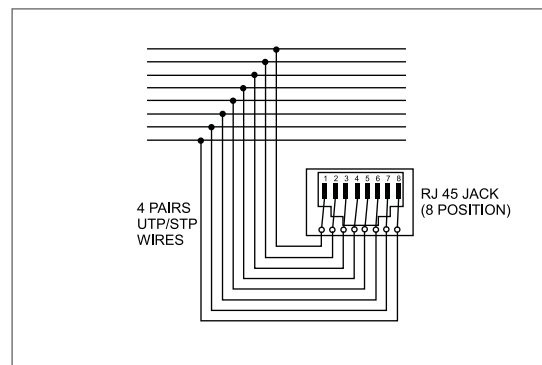
## 1 Gang TV Outlet



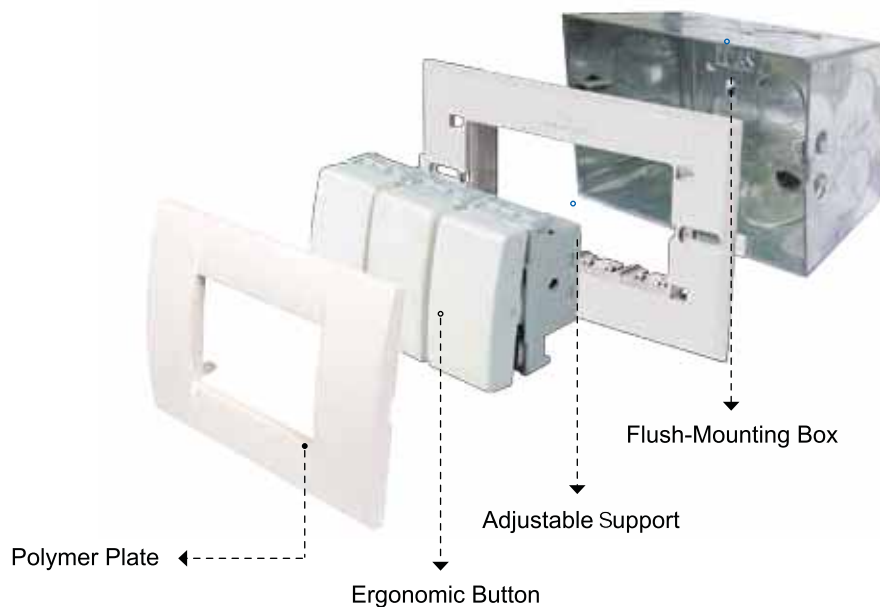
## Telephone Outlet - RJ11



## Computer Outlet - RJ45



## Installation Mechanisms



C&S WA products are compatible with all market box.

## General Instructions for Dimmer

Make sure that the load being connected to the dimmer switch should not exceed the wattage marked on the dimmer.

## Derating of Halogen Lamps

If the dimmer is to be connected to Halogen lamps load then it is necessary to derate the dimmer to 75% of its rated capacity. See below details in 127V and 240V application.

DERATED WATTAGE FOR HALOGEN LOADS		
Dimmer	240V	170V
500W	375W	180W

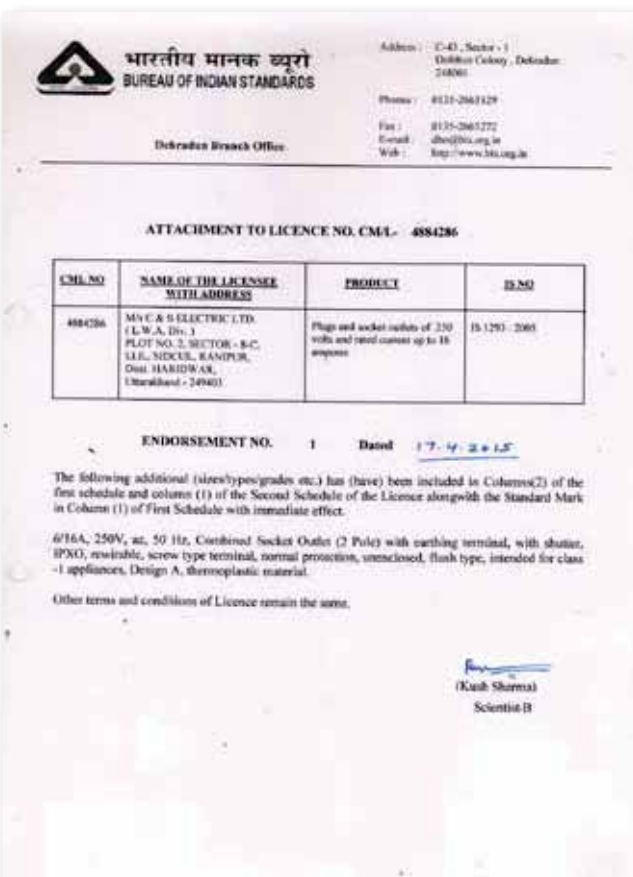
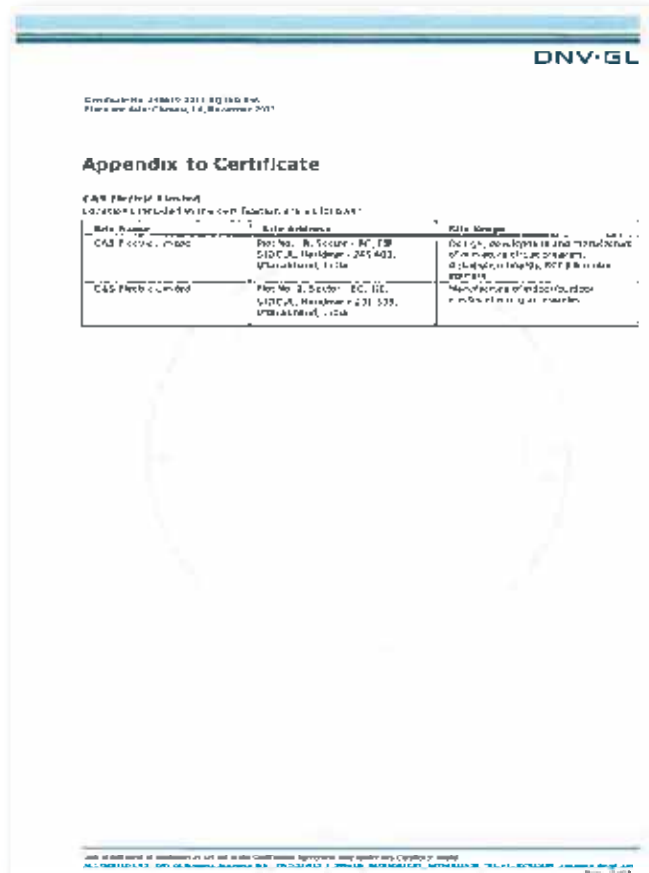
This dimmer may be used on a supply voltage marked on dimmer. If the dimmer switch is connected to lower voltage (for example from 240V to 127V AC) the dimmer must be derated by 50% (500W load to be derated to 250W).

## Recommendation for Incandescent Bulbs

BULBS						
240V Dimmer	25W	40W	60W	100W	150W	200W
250W	10	6	4	2	1	1
500W	20	12	8	5	3	2

## IPXX Information

First number (protection against solid objects)	Definition	Second number (protection against liquid)	Definition
0	No protection	0	No protection
1	Protected against solid objects over 50mm (e.g. Accidental touch by hands)	1	Protected against vertically falling drops of water
2	Protected against solid objects over 12.5mm (e.g. fingers)	2	Protected against direct sprays up to 15° from the vertical
3	Protected against solid objects over 2.5mm (e.g. tools and wires)	3	Protected against direct sprays upto 60° from the vertical
4	Protected against solid objects over 1mm (e.g. tools, wires and small wires)	4	Protected against sprays from all direction - limited ingress permitted
5	Protected against dust-limited ingress (no harm-ful deposit)	5	Protected against low pressure jets of water from all direction - limited ingress permitted
6	Totally protected against dust	6	Protected against strong jets of water e.g. for use on shipdocks - limited ingress permitted
		7	Protected against effects of temporary immersion between 15cm and 1m. duration of best 30 minutes
		8	Protected against long periods of immersion under pressure



## Marketing Offices spread all over India

### CENTRAL MARKETING OFFICE

222, Okhla Industrial Estate, Phase - III, New Delhi - 110 020

Ph. : (+91 11) 3384 9000 - 09 • Fax : (+91 11) 26847342 • E-Mail : [cmo@cselectric.co.in](mailto:cmo@cselectric.co.in), [info@cselectric.co.in](mailto:info@cselectric.co.in)

### CUSTOMER CARE

TOLL FREE NUMBER: 1800-3010-2012

#### NORTHERN REGION

##### DELHI

Ph. : (+91 11) 3384 9000 - 09

Fax : (+91 11) 26847342

E-Mail : [cmo@cselectric.co.in](mailto:cmo@cselectric.co.in)

##### CHANDIGARH

Ph. : (+91 172) 3021144

Fax : (+91 172) 2631059-3201144

E-Mail : [chandigarh@cselectric.co.in](mailto:chandigarh@cselectric.co.in)

##### LUDHIANA

Ph. : (+91 161) 2541900, 2541800

Fax : (+91 161) 2541900, 2541800

E-Mail : [ludhiana@cselectric.co.in](mailto:ludhiana@cselectric.co.in)

##### LUCKNOW

Ph. : (+91 522) 3917843, 4102044

E-Mail : [lucknow@cselectric.co.in](mailto:lucknow@cselectric.co.in)

##### KANPUR

Ph. : (+91 522) 3917843, 4102044

E-Mail : [kanpur@cselectric.co.in](mailto:kanpur@cselectric.co.in)

##### INDORE

Ph. : (+91 731) 4035761, 3918020

E-Mail : [indore@cselectric.co.in](mailto:indore@cselectric.co.in)

##### RAIPUR

Ph. : (+91 771) 4061404

E-Mail : [raipur@cselectric.co.in](mailto:raipur@cselectric.co.in)

##### NAGPUR

Ph. : (+91 712) 2565215 , 2547295

Fax : (+91 712) 2528923

E-Mail : [nagpur@cselectric.co.in](mailto:nagpur@cselectric.co.in)

#### EASTERN REGION

##### KOLKATA

Ph. : (+91 33) 39212100-01

Fax : (+91 33) 22275849

E-Mail : [kolkata@cselectric.co.in](mailto:kolkata@cselectric.co.in)

##### GUWAHATI

Ph. : (+91 361) 2469950

E-Mail : [guwahati@cselectric.co.in](mailto:guwahati@cselectric.co.in)

##### RANCHI

Ph. : (+91 651) 2242202, 2242224

E-Mail : [ranchi@cselectric.co.in](mailto:ranchi@cselectric.co.in)

##### BHUBANESWAR

Ph. : (+91 674) 2580788, 9778070465

E-Mail : [bhubaneshwar@cselectric.co.in](mailto:bhubaneshwar@cselectric.co.in)

#### WESTERN REGION

##### MUMBAI

Ph. : (+91 22) 24114727-28, 30484071-73

Fax : (+91 22) 24126631

E-Mail : [mumbai@cselectric.co.in](mailto:mumbai@cselectric.co.in)

##### AHMEDABAD

Ph. : (+91 79) 30653015

Fax : (+91 79) 30074519

E-Mail : [ahmedabad@cselectric.co.in](mailto:ahmedabad@cselectric.co.in)

##### BARODA

Ph. : (+91 265) 2339479, 2356293

Fax : (+91 265) 2338754

E-Mail : [baroda@cselectric.co.in](mailto:baroda@cselectric.co.in)

##### PUNE

Ph. : (+91 20) 30283239 - 40

Fax : (+91 20) 30283239

E-Mail : [pune@cselectric.co.in](mailto:pune@cselectric.co.in)

##### SURAT

Ph. : (+91 261) 6544024-28

E-Mail : [surat@cselectric.co.in](mailto:surat@cselectric.co.in)

##### JAIPUR

Ph. : (+91 141) 4037651

Fax : (+91 141) 4033954

E-Mail : [jaipur@cselectric.co.in](mailto:jaipur@cselectric.co.in)

#### SOUTHERN REGION

##### CHENNAI

Ph. : (+91 44) 33534500-01

Fax : (+91 44) 39180514

E-Mail : [chennai@cselectric.co.in](mailto:chennai@cselectric.co.in)

##### COIMBATORE

Ph. : (+91 422) 3048406 - 20

Fax : (+91 422) 3048412

E-Mail : [coimbatore@cselectric.co.in](mailto:coimbatore@cselectric.co.in)

##### KOCHI

Ph. : (+91 484) 3071715 (10 LINES)

Fax : (+91 484) 3071716

E-Mail : [cochin@cselectric.co.in](mailto:cochin@cselectric.co.in)

##### MADURAI

E-Mail : [commercial.madurai@cselectric.co.in](mailto:commercial.madurai@cselectric.co.in)

##### BENGALURU

Ph. : (+91 80) 3065 9400

Fax : (+91 80) 25594939

E-Mail : [bangalore@cselectric.co.in](mailto:bangalore@cselectric.co.in)

##### SECUNDERABAD

Ph. : (+91 40) 30659400

Fax : (+91 40) 27812987

E-Mail : [hyderabad@cselectric.co.in](mailto:hyderabad@cselectric.co.in)

##### VIJAYAWADA

Ph. : (+91 866) 2496265 / 67

E-Mail : [vijayawada@cselectric.co.in](mailto:vijayawada@cselectric.co.in)

### RESIDENT ENGINEERS

Agra | Allahabad | Aurangabad | Bareilly | Bhopal | Dehradun | Goa | Gorakhpur | Haridwar | Hubli | Jabalpur | Jammu | Kolhapur | Kollam  
Mangalore | Mehsana | Nashik | Patna | Rajkot | Rourkela | Siliguri | Srinagar | Tirupathi | Trichey | Udaipur | Una | Vapi | Visakhapatnam

### WAREHOUSES

#### NATIONAL WAREHOUSE

NOIDA - A-7 & 8, Sector-VIII, Noida -201 301, Distt. Gautam Budh Nagar, (UP) Ph.: (+91 120) 3914301-02 Fax: (+ 91 120) 3914303

#### REGIONAL WAREHOUSES

DELHI	Khasra No. 915 & 916, 2nd Floor, Near Rice Mill, Village Rithala, Delhi-85 Ph.: (+91 11) 27049211
LUCKNOW	3rd Floor, E-143, Phase-I, Transport Nagar, Kanpur Road, Lucknow - 17 Ph.: (+91 522) 4103460
INDORE	Liberty Agencies 53, Udyog Nagar, Near Musakhedi Square, Ring Road, Indore-452001 Ph.: (+91) 88780-62000 / 64000
KOLKATA	113, Chetla Road, New Alipur, Kolkata - 700 053, Ph.: (+91 33) 22275849 - 51
RANCHI	Plot No. 145/C, Mandir Marg-D, Road No. 4, Ashok Nagar, Distt. Ranchi, Jharkhand - 834002 Ph.: (91 651) 2242202, 2242224
BHUBANESWAR	Rasharaj Geetikunj, Plot No. 224/A, Sec-A, Zone-B, Mancheswar Industrial Estate, Bhubaneswar-751 010 Ph.: (+91 674) 2580788
MUMBAI	E-5, Parasnath Complex. Gala No.8, Village 'VAL' Dapode Road, Taluka Bhiwandi, District, Thane - 421302 Ph.: (+91 2522) 314830
AHMEDABAD	B-25-B/C Meldi Industrial Estate, Opp. West Coast Pharmaceutical, Nr. Gota Over Bridge, Gota, Ahmedabad - 382481 Ph.: (+91 79) 65453044
BENGALURU	No. 17, 1st Main Road, Sampangirama Nagar, Bengaluru - 560 027 Ph.: (+91 80) 41125467



WA Price Schedule\_15th May 2018